

BERRIEN COUNTY ROAD COMMISSION

PROPOSAL AND SPECIFICATIONS

FOR

COLOMA NORTH ROAD

COLOMA TOWNSHIP

PROJECT NO. P16010

**BOARD OF COUNTY ROAD COMMISSIONERS
OF THE COUNTY OF BERRIEN
2860 EAST NAPIER AVENUE
BENTON HARBOR, MI 49022
1-269-925-1196 OR 1-800-442-0734**

BERRIEN COUNTY ROAD COMMISSION

NOTICE TO BIDDERS

Notice is hereby given that sealed bids will be received at the office of the Board of County Road Commissioners of the County of Berrien, 2860 East Napier Avenue, Benton Harbor, Michigan 49022 until 11:00 A.M., Thursday, March 17, 2016 at which time and place they will be publicly opened and read aloud for the following:

- 1. SCOTTTDALE ROAD – HMA PAVING – PROJECT NO. 16012**
- 2. NELSON ROAD – HMA PAVING – PROJECT NO. 16009**
- 3. COLOMA NORTH ROAD – HMA PAVING – PROJECT NO. 16010**
- 4. DEFAY ROAD – RECONSTRUCTION – PROJECT NO. 15101**

All bids will be tabulated and presented to the Board of County Road Commissioners at their next regular meeting.

All bids shall be signed in ink and sealed in an envelope with the name of the items bid upon and the name of the bidder plainly marked on the outside. Specifications and proposal blanks may be obtained at the office of the Berrien County Road Commission.

The Road Commission reserves the right to accept or reject any or all bids, to waive defects in a proposal and to award the Bid in any manner deemed to be in the best interest of Berrien County.

Please visit our website for bid proposals: www.bcroad.org

**BY THE BOARD OF COUNTY ROAD COMMISSIONERS
OF THE COUNTY OF BERRIEN**

**AUGUST ZIELKE
TIMOTHY LYNCH
JESS MINKS
WILLIAM HODGE
JOSEPH MARGOL**

BERRIEN COUNTY ROAD COMMISSION

BENTON HARBOR, MICHIGAN

GENERAL SPECIFICATIONS

Except as hereinafter provided by Supplemental Specifications or Special Provisions, the method and manner of performing the work and the quantity and quality of materials to be furnished under this contract shall be in strict accordance with the current Standard Specifications for construction of the Michigan Department of Transportation and the current edition of the Michigan Manual of Uniform Traffic Control Devices.

SUPPLEMENTAL SPECIFICATIONS

101.02 Definitions:

Commission – The Board of County Road Commissioners of the County of Berrien, Michigan.

103.02 Changes in Work

Adjustable Items – This Contract contains no adjustable item; therefore, no adjustments in unit prices for increased or decreased quantities will be allowed.

107.10 Owners Protective Liability Policy covering bodily injury and property damage protection shall be furnished to the Commission.

108.02 Prosecution of the Work – The Contractor shall begin the work within ten (10) days after being notified by the Commission to do so, unless this is inconsistent with the progress clause, with full force and equipment adequate to complete the sections within the time limit therein fixed for completion. In case of failure to proceed with the work as rapidly as is provided in the progress clause, or if it appears any time that such work is not being prosecuted in such a manner as to insure its completion within time specified, the Commission shall have the right to require the force and equipment as the Commission shall deem necessary to bring the work up to the Progress Schedule; and in case of the Contractor's neglect to do so, the Commission may place such working force and equipment on the work and charge the Contractor the cost of labor and such rental and depreciation rates for the plant and equipment as in its judgment is reasonable, and for such time as the plant and equipment are in service.

109.06 Partial Payment – PAYMENT WILL BE MADE IN FULL IN NOT MORE THAN THREE (3) PARTIAL PAYMENTS, SUCH PAYMENTS TO BE MADE on the basis of ninety percent (90%) of the value of the work done, provided the work is progressing satisfactorily and the orders of the engineer have been complied with an provided that the date for completion, or date granted as extension, has not passed, and provided that the amount is at least \$2,000.00.

BERRIEN COUNTY ROAD COMMISSION

1. CANCELLATION OF CONTRACT PROVISIONS

The Board shall have the right to cancel the Contract for non-performance. Should an inspection by the Board's designated representative reveal that the Contractor's work results in any non-acceptable maintenance condition of one or all specified areas.

The Boards designated representative at the time of the first circumstance shall call for a meeting with the Contractor to insure no misunderstanding on the issues involved.

If the condition should repeat itself a second time, the Board's designated representative shall call for another meeting with the Contractor and issue a written warning of possible Contract termination should the condition continue.

If the condition should repeat itself for a third time, the Board's designated representative shall call for another meeting with the Contractor and issue a written Notice of Contract Termination.

2. Submission of bid will be construed as a conclusive presumption that the Contractor is thoroughly familiar with the bid requirements and specifications and that he/she understands agrees to abide by each and all stipulations and requirements contained therein.
3. The Contractor, his/her employees, agent, and representatives shall conduct themselves in a manner which is conducive to good public relations. They shall display proper respect to the Board, the general public, and surrounding property owners as is applicable.
4. Neither the Contractor nor his/her Subcontractors shall discriminate against any employee or applicant for employment, to be employed in the performance of this Contract, with respect his/her hire, tenure, terms, conditions or privileges of employment, of any matter directly or indirectly related to employment because of his/her race, color, religion, national origin, or ancestry. Breach of this covenant may be regarded as a material breach of this Contract.

BID BOND

A Certified Check or Cashier's Check or Bid Bond in the amount of not less than five (5) percent of the bid made payable to the Berrien County Road Commission shall accompany this proposal as guarantee of good faith.

BERRIEN COUNTY ROAD COMMISSION

TITLE VI

“The Berrien County Road Commission, in accordance with Title VI of Civil Rights Act of 1964, 78 Stat. 252, 42 USC 2000d to 2000d-4 an Title 49, Code of Federal Regulations, Department of Federally-assisted programs of the Department of Transportation issued pursuant to such Act, hereby notifies all bidders that it will affirmatively insure that in any contract entered into pursuant to this advertisement, minority business enterprises will be afforded full opportunity to submit bids in response to this invitation and will not be discriminated against on the grounds of gender, disability, race, color, or national origin in consideration for an award”.

BERRIEN COUNTY ROAD COMMISSION

PROGRESS CLAUSE: Start work within ten (10) days after receiving notice of award of contract or on the date agreed upon with the Engineer. In no case shall any work be commenced prior to receipt of a formal notice of award by the Road Commission.

This Contract shall be completed in 5 working days. Working days will be charged starting on that date that the work is started or the date agreed. The project shall be complete by September 1, 2016.

The low bidder(s) for the work covered by this proposal will be required to meet with Road Commission representatives to work out a detailed Progress Schedule. The schedule for this meeting will be set within one week after the low bidder(s) is determined.

The named subcontractor(s) for Designated and/or Specialty Items, as shown on the proposal, is recommended to be at the scheduled meeting if such items materially affect the work schedule.

The Project Engineer will arrange the time and place for the meeting.

The Progress Schedule shall include, as a minimum, the controlling work items for the completion of the project and the planned dates (or work day for a work day project) that these work items will be controlling operations. When specified in the bidding proposal, the date the project is to be opened to traffic as well as the final project completion date shall also be included in the Progress Schedule.

If the bidding proposal specifies other controlling dates, these shall also be included in the Progress Schedule.

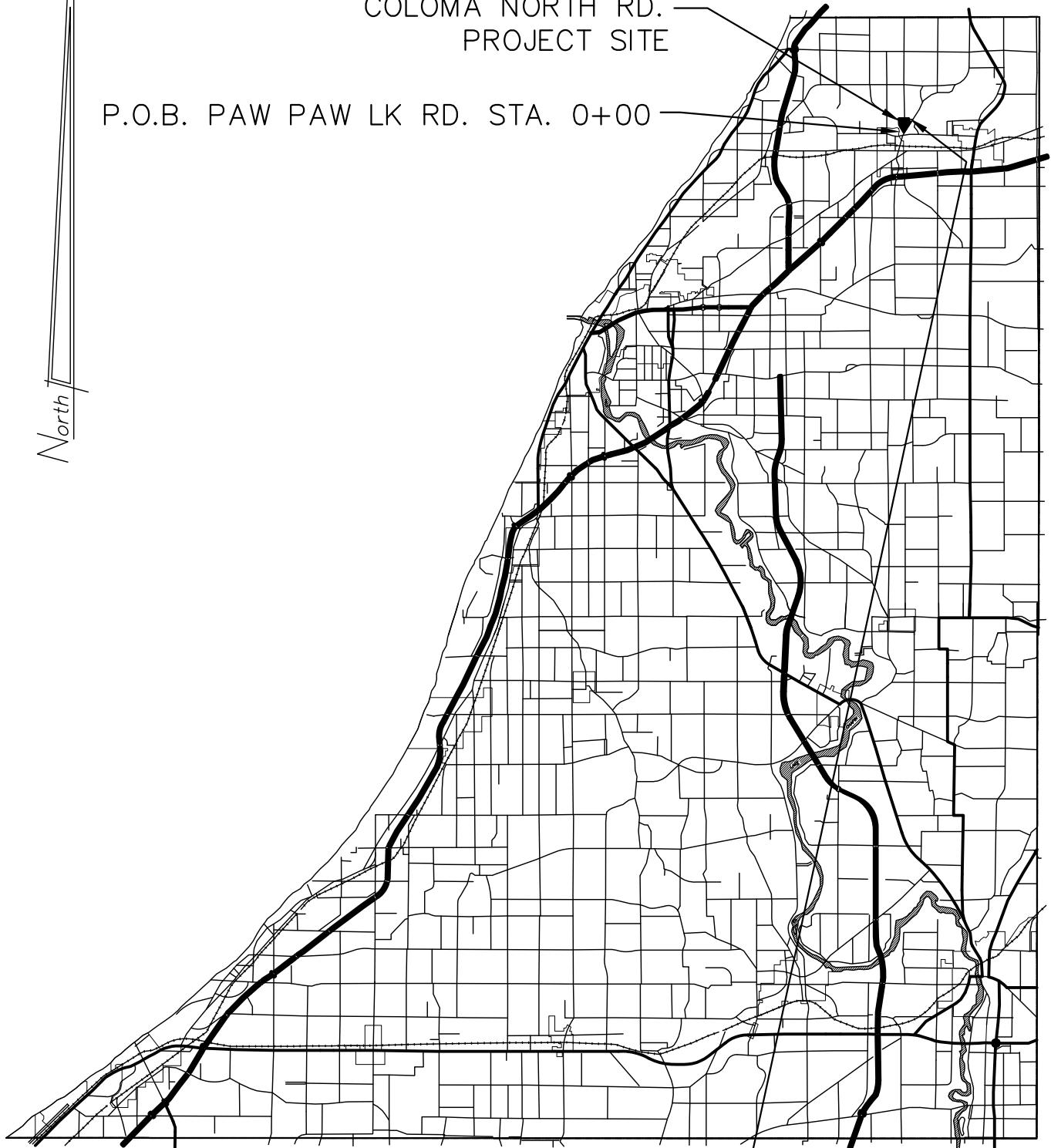
Failure on the part of the contractor to carry out the provision of the Progress Schedule, as established, may be considered sufficient cause to prevent bidding future projects until a satisfactory rate of progress is again established.

VICINITY MAP

COLOMA NORTH RD.
PROJECT SITE

P.O.B. PAW PAW LK RD. STA. 0+00

North



P.O.E. BECHT RD. STA. 23+00
50 FT NORTH OF CENTERLINE OF BECHT RD.

BERRIEN COUNTY ROAD COMMISSION
NOTICE TO BIDDERS
UTILITY COORDINATION
SHEET 1 OF 2

BCRC/BQB

4/30/15

The Contractor shall cooperate and coordinate construction activities with the owners of utilities as stated in Section 104.08 of the 2012 MDOT Standard Specifications for Construction. In addition, for the protection of underground utilities, the Contractor shall follow the requirements in Section 107.12 of the 2012 MDOT Standard Specifications for Construction. Contractor delay claims, resulting from a utility, will be determined based upon Section 109.03 of the 2012 MDOT Standard Specifications for Construction.

The existing utilities listed below and shown on the plans (if shown) represent the best information available. This information does not relieve the Contractor of the responsibility to satisfy himself/herself as to their accuracy.

PUBLIC UTILITIES

The following Public Utilities have facilities within the Right of Way:

| | | |
|-------------------|---|-----------------------|
| ELECTRIC: | American Electric Power 2925 Meadowbrook Road Benton Harbor, MI 49022 | 269-926-0683 |
| TELEPHONE: | AT&T 1435 Milton Street Benton Harbor, MI 49022 | 269-926-0233 |
| GAS: | Michigan Gas Utilities 711 Starlite Drive Benton Harbor, MI 49022 | 269-605-2187 |
| CABLE: | Comcast 3830 M-139 St. Joseph, MI 49085 | 269-429-3209 Ext 1324 |
| TOWNSHIPS: | Coloma Charter Township 4919 Paw Paw Lake Road Coloma, MI 49038 | 269-468-7212 |

BERRIEN COUNTY ROAD COMMISSION
NOTICE TO BIDDERS
UTILITY COORDINATION
SHEET 2 OF 2

**ON ALL PROJECTS – “3 WORKING DAYS BEFORE YOU DIG – CALL MISS DIG –
TOLL FREE 1-800-482-7171 OR 811**

For protection of underground utilities and in conformance with Public Act 53, the contractor shall dial 1-800-482-7171 or 811 a minimum of three full working days, excluding Saturdays, Sundays and holidays prior to beginning each excavation in areas where public utilities have not been previously located. Members will thus be routinely notified. This does not relieve the contractor of the responsibility of notifying owners who may not be a part of the “Miss Dig” alert system.

The owners of existing service facilities that are within the road structure limits will move them to locations designated by the Engineer. Owners of Public Utilities will not be required by the County to move additional poles or structures in order to facilitate the operation of construction equipment unless it is determined by the Engineer that such poles or structures constitute a hazard to the public or are extraordinarily dangerous to the Contractor’s operations.

The Contractor shall conduct his/her construction operations so as to interfere a little as possible with those of other Contractors, utilities, or any public authority on or near work as shown on the plans or in the proposal.

The Contractor shall protect existing underground and overhead utilities within the project limits. The Contractor shall be responsible for the cost and expenses of repairing utilities damaged by his/her construction operations. The contractor shall hand dig along existing underground utilities and shall protect existing utilities.

BERRIEN COUNTY ROAD COMMISSION

BERRIEN COUNTY ROAD COMMISSION

PROJECT SPECIFICATIONS for SPECIAL PROVISIONS

GENERAL

The “2012 Standard Specifications for Construction” (Standard Specifications) of the Michigan Department of Transportation, are hereby incorporated into these contract documents. Copies of these standards are available for inspection at the office of the Engineer. All construction included in this project shall be done in accordance with the Standard Specifications, as modified by these project specifications and special provisions, or as modified by plan notes. Where notes on the plans are in conflict with the standard specifications or there special provisions, the plan notes shall control.

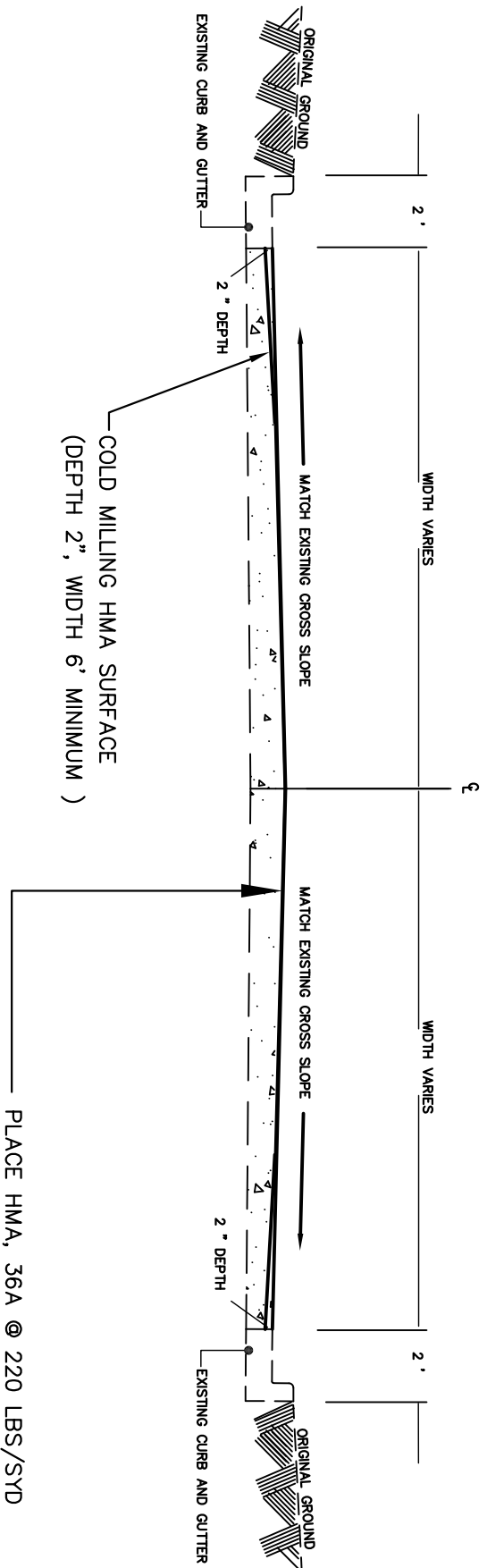
CONTRACT REQUIREMENTS AND COVENANTS

Where the contract requirements in these Contract Documents conflict with the contract requirements specified in Division 1 of the standard specifications, the contract requirements in these contract documents shall control.

SPECIAL PROVISIONS

The special provisions, which follow, shall modify the standard specifications for the item indicated.

TYPICAL SECTION



TYPICAL SECTION – COLOMA NORTH RD.

P.O.B. STA. 0+00 TO STA. 1+50

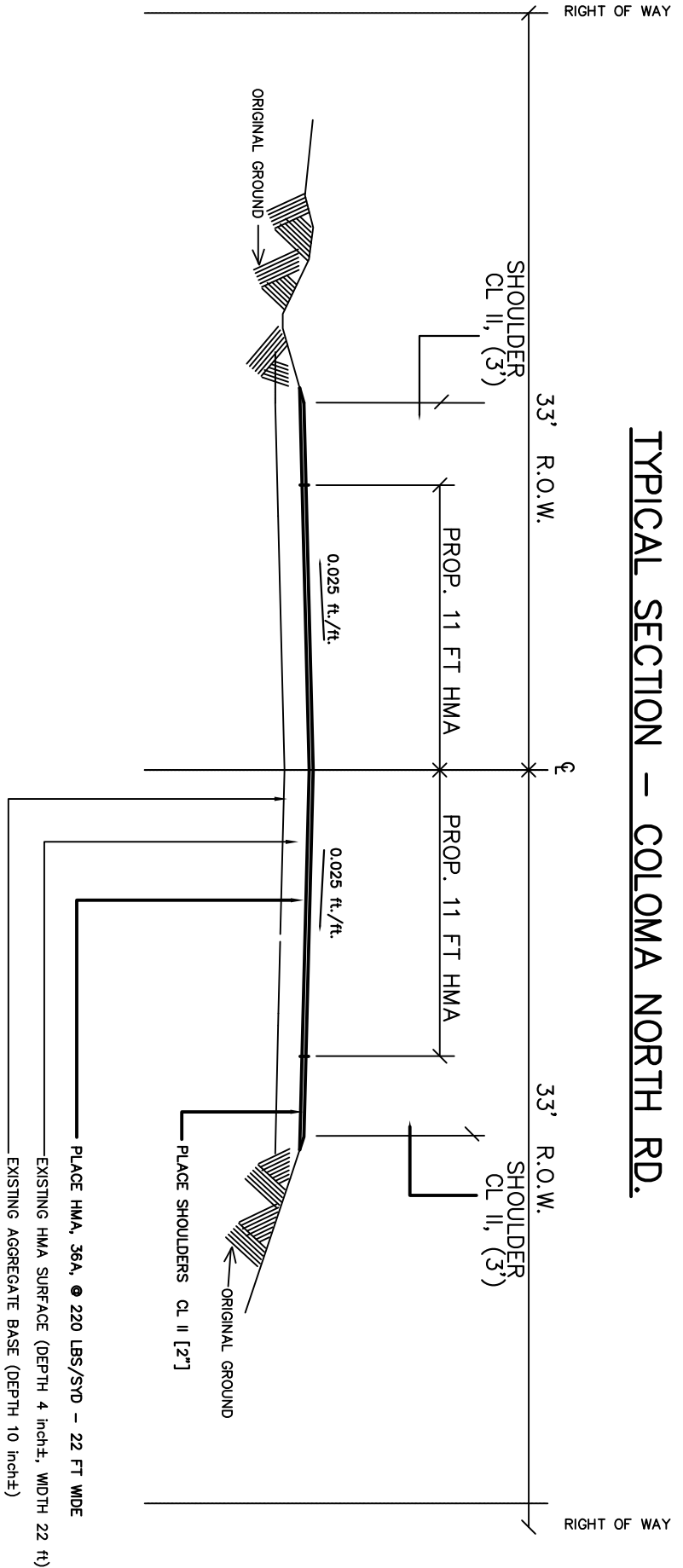
HMA APPLICATION ESTIMATE

| WORK ITEM | APPLICATION RATE | DESIGN GRADE FOR ASPHALT CEMENT | TOP COURSE WIDTH VARIES 20'-40' |
|-----------|------------------|---------------------------------|------------------------------------|
| HMA, 36A | 220 LBS/SYD | PG 58-28 | |

HMA BOND COAT AT 0.10 GAL/SYD – NOT A PAY ITEM: AGGREGATE WEAR INDEX FOR HMA, 36A SHALL BE A MINIMUM OF 220

| | | |
|-----------------|------------|------|
| CONTROL SECTION | JOB NUMBER | PAGE |
| | 16010 | |

TYPICAL SECTION – COLOMA NORTH RD.



STA. 1+50 TO P.O.E. 23+00

HMA APPLICATION ESTIMATE

| WORK ITEM | APPLICATION RATE | DESIGN GRADE FOR ASPHALT CEMENT | DESCRIPTION |
|---------------|------------------|---------------------------------|-----------------------|
| HMA, 36A | 220 LBS/SYD | PG 58-28 | TOP COURSE – 22' WIDE |
| HMA, APPROACH | 220 LBS/SYD | PG 58-28 | HMA, 36A |

HMA BOND COAT AT 0.10 GAL/SYD – NOT A PAY ITEM: AGGREGATE WEAR INDEX FOR HMA, 36A SHALL BE A MINIMUM OF 220

| | | |
|-----------------|------------|------|
| CONTROL SECTION | JOB NUMBER | PAGE |
| | 16010 | |

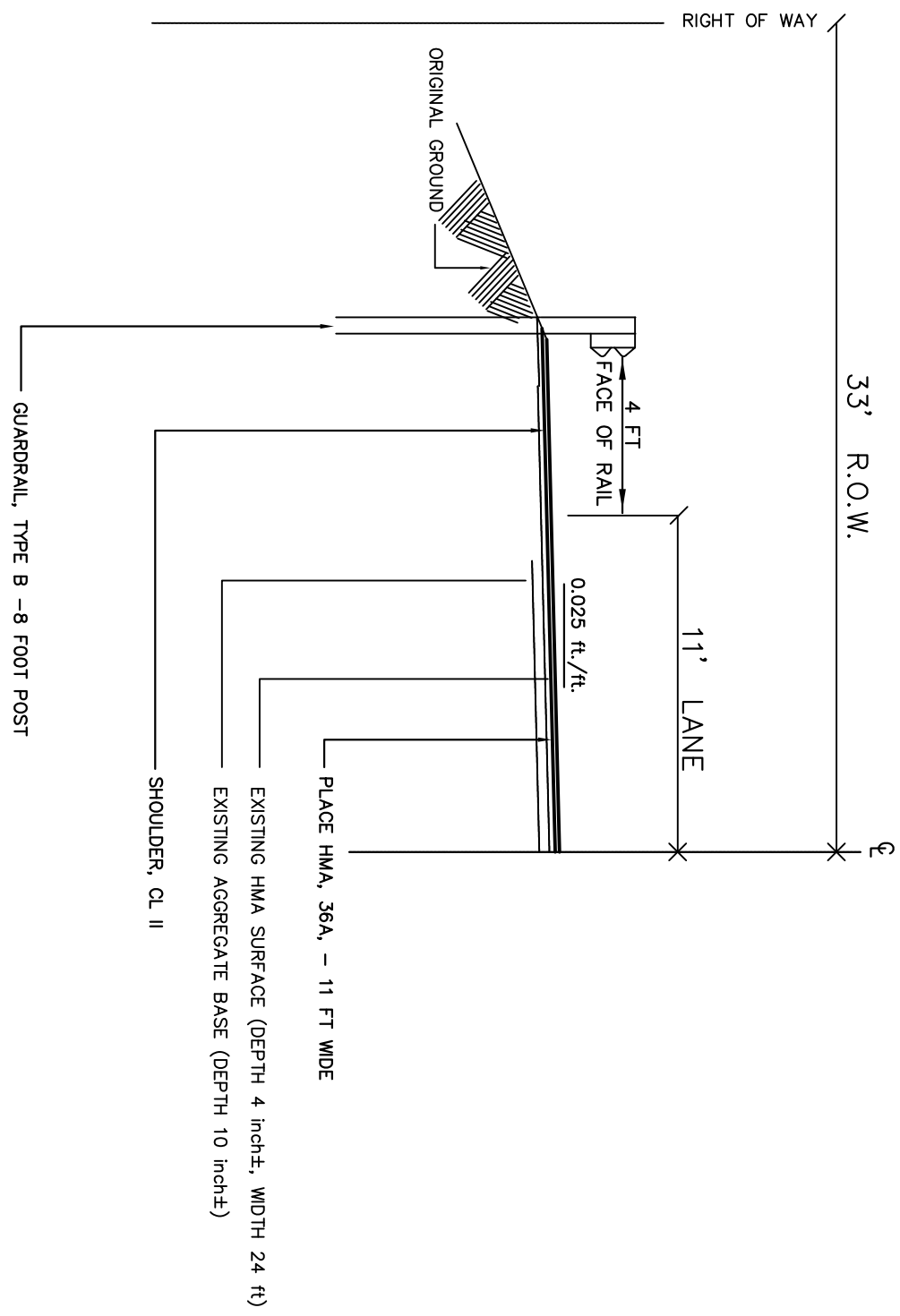
GUARDRAIL SECTION

GUARDRAIL APPROACH TERMINAL, TYPE 1B

GUARDRAIL, TYPE B - 8 FOOT POST

LEFT
STA. 2+45 & STA. 7+70

LEFT
STA. 2+45 & STA. 7+70

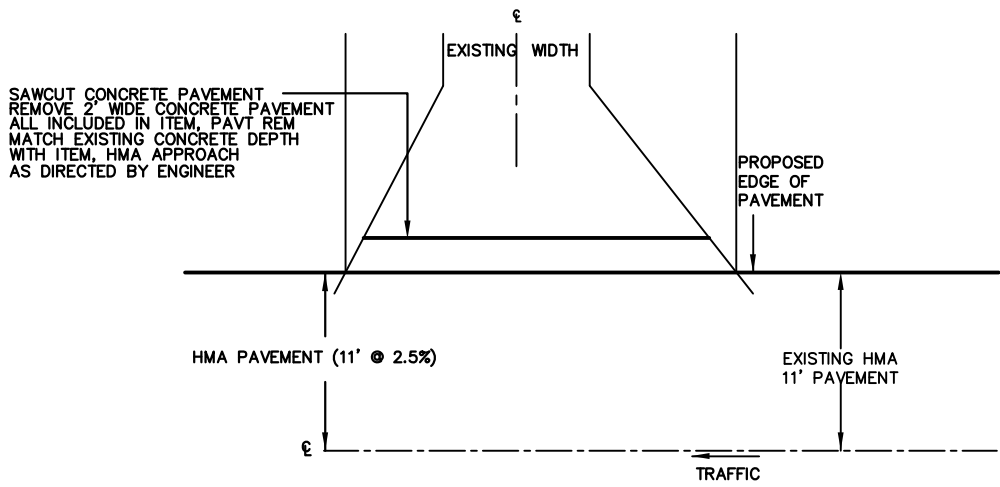


CONTROL SECTION

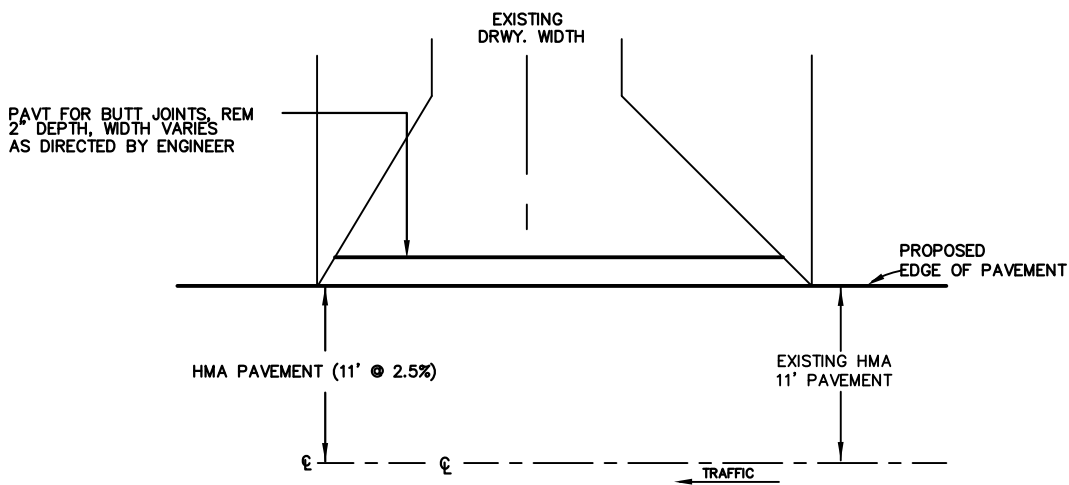
JOB NUMBER

16010

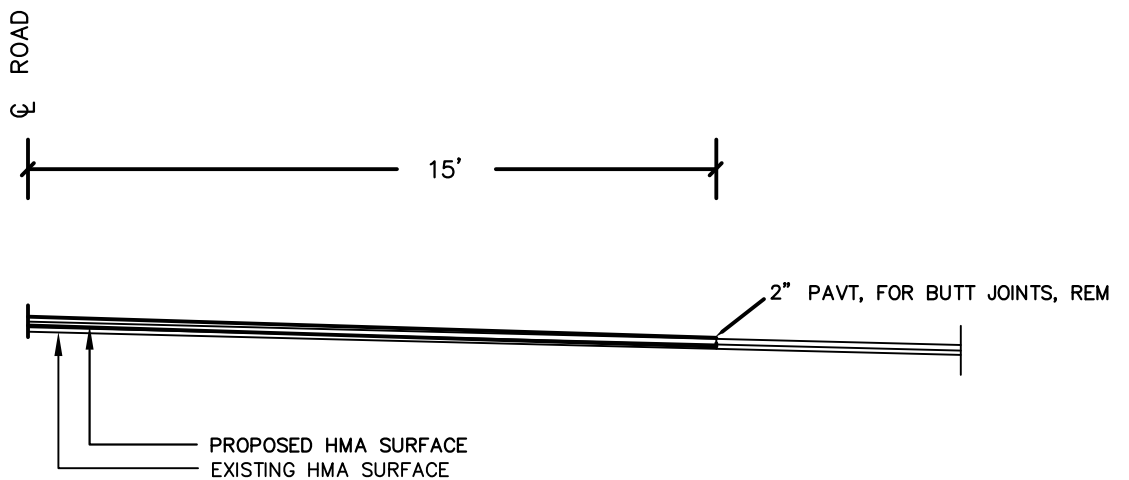
PAGE



TYPICAL SECTION CONCRETE DRIVEWAY



TYPICAL SECTION HMA DRIVEWAY



TYPICAL SECTION FOR MILLING ALONG INTERSECTIONS

BERRIEN COUNTY ROAD COMMISSION

SPECIAL PROVISION HMA APPLICATION ESTIMATE SHEET 1 OF 1 COLOMA NORTH ROAD

BCRC/BQB

04/30/15

The yield for the proposed HMA, 36A is 220 pounds per square yard.

The yield for the proposed HMA, Approach is 220 pounds per square yard. HMA, 36A material to be used for HMA, Approach

The Asphaltic Cement for the mixture shall be performed grade 58-28.

The Bond Coat Material shall be SS-1h. The application rate shall be 0.05 to 0.15 gallons per square yard as directed by the Engineer. The Bond Coat shall not be a pay item.

The Aggregate Weat Index (AWI) number required for the aggregate used in production of the HMA mixture used in the top source of the traveled way shall be 220 minimum.

ROLLING

The Nuclear Gauge Method for testing compaction is hereby waived for this project. Acceptance will be given by performing Rolling operations on each course of HMA according to the following table.

NUMBER OF ROLLERS REQUIRED BASED ON PLACEMENT RATE

| Average Laydown Rate, Square Yards Per Hour | Number of Rollers Compaction Rollers | Required Finish Rollers |
|--|---|----------------------------|
| Less than 675 | 1 | 1* |
| 675-1500 | 1 | 1 |
| 1500-3400 | 2 | 1 |
| 3400-6000 | 3 | 1 |

*The compaction roller may be used as the finish roller also.

MEASUREMENT AND PAYMENT

Measurement and Payment shall be at the contract unit price per ton.

BERRIEN COUNTY ROAD COMMISSION

SPECIAL PROVISION FOR MAINTAINING TRAFFIC 1 OF 2

BCRC/BQB

04/30/15

GENERAL REQUIREMENTS

Traffic shall be maintained by the Contractor throughout the project in accordance with the requirements of Sections 104.11, 812 and 922 of the 2012 MDOT Standard Specifications for Construction and as herein specified. The Contractor is advised that the 2011 Edition, as amended, of the Michigan Manual of Uniform Traffic Control Devices is hereby established as governing all work in connection with traffic control devices, barricade lighting, etc., required on this project. The Contractor shall coordinate this work with other contractors performing work within the construction influence area or adjoining areas to avoid conflicts in the maintenance of traffic, construction signing and the orderly progress of work.

Berrien County Road Commission shall, at the beginning of construction and immediately after the detour is set up, remove all signs that conflict with new construction, and shall install all necessary permanent signing prior to opening to traffic. The Contractor shall be responsible for all temporary signing during construction, and shall coordinate with the Berrien County Road Commission to assure adequate signage during the transitions. As the project nears completion, the Contractor shall coordinate removal of temporary signs, barricades, and traffic control devices with the Berrien County Road Commission's placement of permanent signs and pavement markings to assure a safe transition. The Road Commission shall place permanent signs and pavement markings before the removal of the detour.

The Contractor shall furnish, erect, maintain and upon completion of the work, remove all traffic control devices and barricade lights within the construction influence area for the safety and protection of thru and local traffic. This includes, but is not limited to, advance, regulatory and warning signs, barricades, and channeling devices at the intersecting street on which traffic is to be maintained and all other traffic control devices required to maintain traffic as called for on the plans. The construction influence area (CIA) shall consist of the width of the project right of way from 2,600 feet before the project P.O.B. to 2,600 feet beyond the project. P.O.E., 500 feet in all directions along the cross roads, within the project limits.

TRAFFIC RESTRICTIONS

Traffic will be maintained using Lane Closures and Traffic Regulators.

All work for this project shall be performed during daylight hours. Night work will not be allowed.

Work will not be allowed on holiday weekends, including Labor Day and 4th of July, as directed by the engineer. Saturday work other than holiday weekends will be allowed.

BERRIEN COUNTY ROAD COMMISSION

SPECIAL PROVISION FOR MAINTAINING TRAFFIC 2 OF 2

BCRC/BQB

04/30/15

PROJECT - GENERAL

Any utility trenches across all drives shall be maintained by the use of existing or salvaged materials and costs associated with this work included in Minor Traffic Devices.

Necessary emergency work performed by the County due to the negligence of the Contractor will be billed against the Contractor.

Walks, driveways and entrances to building shall not be unnecessarily blocked. Vehicular access shall be maintained to all properties, or as designated by the Engineer, at all times. Construction shall be completed in such a manner as to maintain the required entrance width for traffic at all times. When partial widths of new pavement are available to traffic, access to drives shall be provided immediately.

TRAFFIC CONTROL DEVICES

All traffic control devices and their usage shall be in accordance with provisions in the 2011 Edition, as amended, of the Michigan Manual of Uniform Traffic Control Devices (MMUTCD), as amended. All construction signs, unless otherwise noted, shall be 4' x 4', mounted at a bottom height of 5 feet and placed as indicated on the plans. When signs are no longer applicable, they shall be removed or have their legend completely covered with plywood or approved equal, if the posts are driven. Signs can no longer be mounted on Type III Barricades. Signs near Type III Barricades shall have separate supports.

Reflectorized strips are required on both sides when barricades are facing traffic in both directions.

Channelizing devices shall be used to separate traffic from the work and if directed by the Engineer or shown on the plan sheets to separate opposing traffic lanes.

Plastic cones may be used as channelizing devices only during day light hours. If plastic cones are used, they shall be a minimum of 28 inches in height and placed as directed by the Engineer. Metal drums or metal barrels shall not be used as traffic control devices.

All traffic control devices shall meet Traffic Special Details WZD-125-E & WZD-100-A.



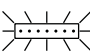
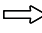

PLACE THROUGHOUT WORK AREA AS INDICATED AND AFTER ALL MAJOR CROSSROADS IF PERMANENT SIGNS ARE NOT IN PLACE.

PLACE THIS SIGN ALONG WITH THE ADVANCE WORK ZONE SIGNING AS DEPICTED ON THE APPROPRIATE TYPICAL M0030a-M0080a.

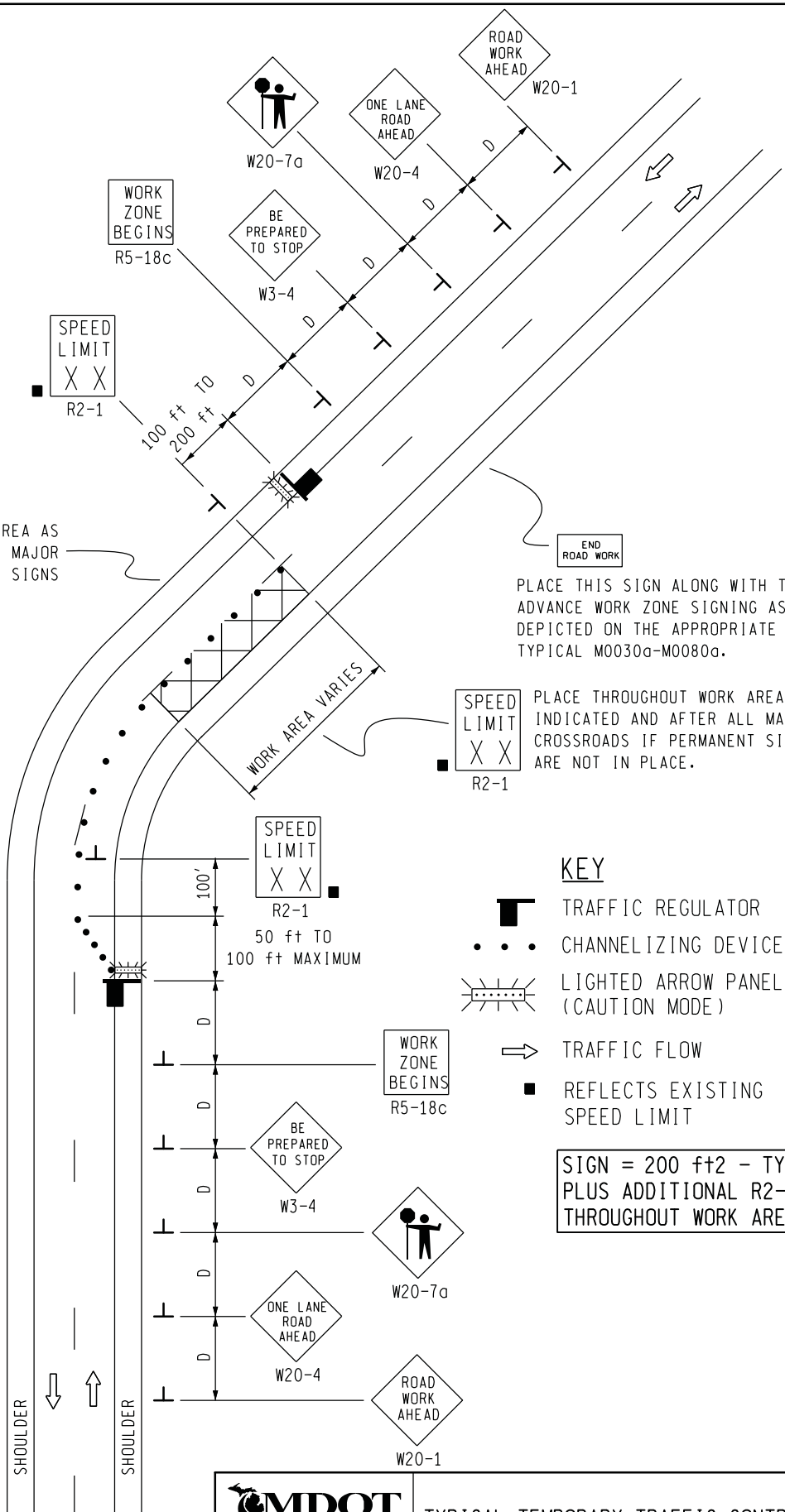
PLACE THROUGHOUT WORK AREA AS INDICATED AND AFTER ALL MAJOR CROSSROADS IF PERMANENT SIGNS ARE NOT IN PLACE.

PLACE THIS SIGN ALONG WITH THE ADVANCE WORK ZONE SIGNING AS DEPICTED ON THE APPROPRIATE TYPICAL M0030a-M0080a.

KEY

-  TRAFFIC REGULATOR
-  CHANNELIZING DEVICES
-  LIGHTED ARROW PANEL (CAUTION MODE)
-  TRAFFIC FLOW
-  REFLECTS EXISTING SPEED LIMIT

SIGN = 200 ft ± 2 - TYPE B PLUS ADDITIONAL R2-1's THROUGHOUT WORK AREA



MDOT
Michigan Department of Transportation
TRAFFIC AND SAFETY
MAINTAINING TRAFFIC
TYPICAL

DRAWN BY: CON:AE:djf
CHECKED BY: BMM:CRB

TYPICAL TEMPORARY TRAFFIC CONTROL FOR A TWO-LANE TWO-WAY ROADWAY WHERE ONE LANE IS CLOSED UTILIZING TRAFFIC REGULATORS, NO SPEED REDUCTION

| | | |
|--------------|--------|-----------------|
| OCTOBER 2011 | M0140a | SHEET 1 OF 2 |
| PLAN DATE: | | |

NOT TO SCALE


NOTES

- 1H. D = DISTANCE BETWEEN TRAFFIC CONTROL DEVICES AND LENGTH OF LONGITUDINAL BUFFERS
SEE M0020a FOR "D" VALUES.
2. ALL NON-APPLICABLE SIGNING WITHIN THE CIA SHALL BE MODIFIED TO FIT CONDITIONS, COVERED OR REMOVED.
3. DISTANCES BETWEEN SIGNS, THE VALUES FOR WHICH ARE SHOWN IN TABLE D, ARE APPROXIMATE AND MAY NEED ADJUSTING AS DIRECTED BY THE ENGINEER.
- 3A. THE "WORK ZONE BEGINS" (R5-18c) SIGN SHALL BE USED ONLY IN THE INITIAL SIGNING SEQUENCE IN THE WORK ZONE. SUBSEQUENT SEQUENCES IN THE SAME WORK ZONE SHALL OMIT THIS SIGN AND THE QUANTITIES SHALL BE ADJUSTED APPROPRIATELY.
- 4A. THE MAXIMUM RECOMMENDED DISTANCE(S) BETWEEN CHANNELIZING DEVICES IN THE TAPER AREA(S) SHOULD BE 15 FEET AND SHOULD BE EQUAL IN FEET TO TWICE THE POSTED SPEED IN MILES PER HOUR IN THE PARALLEL AREA(S).
5. FOR OVERNIGHT CLOSURES, TYPE III BARRICADES SHALL BE LIGHTED.
6. WHEN CALLED FOR IN THE FHWA ACCEPTANCE LETTER FOR THE SIGN SYSTEM SELECTED, THE TYPE A WARNING FLASHER, SHOWN ON THE WARNING SIGNS, SHALL BE POSITIONED ON THE SIDE OF THE SIGN NEAREST THE ROADWAY.
7. ALL TEMPORARY SIGNS, TYPE III BARRICADES, THEIR SUPPORT SYSTEMS AND LIGHTING REQUIREMENTS SHALL MEET NCHRP 350 CRASHWORTHLY REQUIREMENTS STIPULATED IN THE CURRENT EDITION OF THE MICHIGAN MANUAL ON UNIFORM TRAFFIC CONTROL DEVICES, THE CURRENT EDITION OF THE STANDARD SPECIFICATIONS FOR CONSTRUCTION, THE STANDARD PLANS AND APPLICABLE SPECIAL PROVISIONS. ONLY DESIGNS AND MATERIALS APPROVED BY MDOT WILL BE ALLOWED.
9. ALL TRAFFIC REGULATORS SHALL BE PROPERLY TRAINED AND SUPERVISED.
- 9A. IN ANY OPERATION INVOLVING MORE THAN ONE TRAFFIC REGULATOR, ONE PERSON SHOULD BE DESIGNATED AS HEAD TRAFFIC REGULATOR.
10. ALL TRAFFIC REGULATORS' CONDUCT, THEIR EQUIPMENT, AND TRAFFIC REGULATING PROCEDURES SHALL CONFORM TO THE CURRENT EDITION OF THE MICHIGAN MANUAL OF UNIFORM TRAFFIC CONTROL DEVICES (MMUTCD) AND THE CURRENT EDITION OF THE MDOT HANDBOOK ENTITLED "TRAFFIC REGULATORS INSTRUCTION MANUAL."
11. WHEN TRAFFIC REGULATING IS ALLOWED DURING THE HOURS OF DARKNESS, APPROPRIATE LIGHTING SHALL BE PROVIDED TO SUFFICIENTLY ILLUMINATE THE TRAFFIC REGULATOR'S STATIONS.
- 12E. THE MAXIMUM DISTANCE BETWEEN THE TRAFFIC REGULATORS SHALL BE NO MORE THAN 2 MILES IN LENGTH UNLESS RESTRICTED FURTHER IN THE SPECIAL PROVISIONS FOR MAINTAINING TRAFFIC. ALL SEQUENCES OF MORE THAN 2 MILES IN LENGTH WILL REQUIRE WRITTEN PERMISSION FROM THE ENGINEER BEFORE PROCEEDING.
13. WHEN INTERSECTING ROADS OR SIGNIFICANT TRAFFIC GENERATORS (SHOPPING CENTERS, MOBILE HOME PARKS, ETC.) OCCUR WITHIN THE ONE-LANE TWO-WAY OPERATION, INTERMEDIATE TRAFFIC REGULATORS AND APPROPRIATE SIGNING SHALL BE PLACED AT THESE LOCATIONS.
14. ADDITIONAL SIGNING AND/OR ELONGATED SIGNING SEQUENCES SHOULD BE USED WHEN TRAFFIC VOLUMES ARE SIGNIFICANT ENOUGH TO CREATE BACKUPS BEYOND THE W3-4 SIGNS.
15. THE HAND HELD (PADDLE) SIGNS REQUIRED BY THE MMUTCD TO CONTROL TRAFFIC WILL BE PAID FOR AS PART OF FLAG CONTROL.
- 28E. THE TRAFFIC REGULATORS SHOULD BE POSITIONED AT OR NEAR THE SIDE OF THE ROAD SO THAT THEY ARE SEEN CLEARLY AT A MINIMUM DISTANCE OF 500 FEET. THIS MAY REQUIRE EXTENDING THE BEGINNING OF THE LANE CLOSURE TO OVERCOME VIEWING PROBLEMS CAUSED BY HILLS AND CURVES.

SIGN SIZES

DIAMOND WARNING - 48" x 48"
 R2-1 REGULATORY - 48" x 60"
 R5-18c REGULATORY - 48" x 48"

NOT TO SCALE

| | | | |
|--|--|--------|--------|
|  TRAFFIC AND SAFETY MAINTAINING TRAFFIC TYPICAL | TYPICAL TEMPORARY TRAFFIC CONTROL FOR A TWO-LANE TWO-WAY ROADWAY WHERE ONE LANE IS CLOSED UTILIZING TRAFFIC REGULATORS, NO SPEED REDUCTION | | |
| DRAWN BY: CON:AE:djf | OCTOBER 2011 | M0140a | SHEET |
| CHECKED BY: BMM:CRB | PLAN DATE: | | 2 OF 2 |
| FILE: PW RD/TS/Typicals/Signs/MT NON FWY/M0140a.dgn REV. 10/04/2011 | | | |

BERRIEN COUNTY ROAD COMMISSION

NOTICE TO BIDDERS

TESTING OF MATERIALS

All material must be tested and approved in accordance with Section 105 of the 2012 Standard Specifications, or as provided herein, before they enter into the construction of the project. Testing may be performed by the Local Agency or a Commercial Testing Company. Cost of testing shall be the responsibility of the Local Agency and may be eligible for federal participation.

A complete list of all tests must be on file in order to obtain Federal Aid on the construction.

INSURANCE

The Contractor shall provide for and in the behalf of the State, the Commission, the Department, its employees, and all agencies specifically named below and their interests may appear, Owner's Protective Public Liability Insurance. Such insurance shall provide coverage and limits the same as the Contractor's Public Liability Insurance.

The agencies are the Board of County Road Commissioners of the County of Berrien, and the Berrien County Road Commission.

BERRIEN COUNTY ROAD COMMISSION

HOLD HARMLESS

This Agreement made this _____ day of _____, 2016 by and between the Berrien County Road Commission and the Board of County Road Commissioners of the County of Berrien (hereinafter referred to as the BOARD) and _____ (hereinafter referred to as the CONTRACTOR). Said Contractor hereby agrees to undertake the following work in the status of independent contractor performing the following operations:

COLOMA NORTH ROAD – Project No. P16010

Said Contractor shall at all times exercise extreme care and shall assume any and all liability for bodily injury, death or property damage arising out of the above stated operation or by anyone else acting in concert or under the control or direction of said Contractor, and will indemnify and hold harmless the Berrien County Road Commission, its Commissioners, employees, attorneys and agents for any and all claims for bodily injury, death or property damage arising out of this agreement.

It is also agreed while engaged in such operation, that the Contractor shall maintain insurance, naming the Board of Berrien County Road Commissioners, the Berrien County Road Commission; their Officers, Agents and Employees as an additional named insured with policy limits of:

Bodily Injury and Property Damage Liability:

| | |
|-----------------|-------------|
| Each Occurrence | \$1,000,000 |
| Aggregate | \$2,000,000 |

Statutory Workmen's Compensation Insurance

Additionally said Contractor shall furnish to the Board a certificate of insurance providing above requested limits.

It is also agreed if the Board is involved in any litigation arising out of said operation, that the Contractor will indemnify and hold harmless the Board for any and all legal fees or cost incurred by the Board in defense of said Board.

WITNESSED BY:

Contractor

Berrien County Road Commission

**BERRIEN COUNTY ROAD COMMISSION
COLOMA NORTH ROAD**

PROPOSAL

Date_____

Board of County Road Commissioners of the County of Berrien,
2860 E. Napier Avenue, Benton Harbor, Michigan 49022-0768

Gentlemen:

The undersigned has examined the plans, specifications, and location of the work described herein and is fully informed as to the nature of the work and the conditions relating to its performances and understands that the quantities shown in the estimate are approximate only and are subject to either increase or decrease; and hereby proposes to furnish all necessary machinery, tools, apparatus and other means of doing the work, do all the work, furnish all the materials except as otherwise specified herein, and, for the unit prices named in the accompanying unit price schedule, to complete the work in strict accordance with the plans and specifications therefore.

The undersigned further proposes to do such extra work as may be ordered by you, prices for which are not included in the itemized bid, compensation therefore to be made on the basis agreed upon before such extra work is begun.

The undersigned agrees to begin work within ten (10) days after being notified to do so, and to complete all items of work **WITHIN 5 WORKING DAYS AND BY SEPTEMBER 1, 2016.**

Signed_____

By_____

Post Office of Bidder_____

In case the bidder is a co-partnership, each member must sign this proposal.
In case the bidder is a Corporation this proposal must be executed by its duly authorized officials in accordance with its articles of incorporation and a certified copy of such articles must be attached hereto.

**BERRIEN COUNTY ROAD COMMISSION
COLOMA NORTH ROAD PROJECT NUMBER P16010**

2860 E. NAPIER AVENUE
BENTON HARBOR, MICHIGAN 49022
TELEPHONE 925-1196
TOLL FREE FROM 269 AREA 1-800-442-0734

ITEMIZED UNIT PRICE SCHEDULE

| QUANTITY | ITEM OF WORK | UNIT PRICE BID | AMOUNT |
|-----------------|--------------------------------------|---------------------------|---------------|
| 1 LS | MOBILIZATION, MAX | | |
| 525 FT | GUARDRAIL, REM | | |
| 20 TON | APPROACH, CL II | | |
| 200 TON | SHOULDER, CL II | | |
| 5 EA | DR STRUCTURE COVER, ADJ, CASE 1 | | |
| 250 SYD | COLD MILLING HMA SURFACE | | |
| 20 TON | HAND PATCHING | | |
| 760 TON | HMA, 36A | | |
| 100 TON | HMA APPROACH | | |
| 400 SYD | PAVT, FOR BUTT JOINTS, REM | | |
| 2 EA | GUARDRAIL APPROACH TERMINAL, TYPE 1B | | |
| 10 EA | GUARDRAIL REFLECTOR | | |
| 525 FT | GUARDRAIL, TYPE B, 8 FT POST | | |
| 1 LS | MINOR TRAF DEVICES | | |
| 25 EA | PLASTIC DRUM, HIGH INTENSITY, FURN | | |
| 25 EA | PLASTIC DRUM, HIGH INTENSITY, OPER | | |
| 160 SFT | SIGN, TYPE B, TEMP, PRISMATIC, FURN | | |
| 160 SFT | SIGN, TYPE B, TEMP, PRISMATIC, OPER | | |
| 1 LSUM | TRAF REGULATOR CONTROL | | |
| 1 EA | MONUMENT BOX ADJUST | | |
| 3 EA | WATER SHUTOFF, ADJ, CASE 1 | | |

TOTAL BID AMOUNT _____ \$ _____

SIGNED

_____ **BIDDER**

_____ **DATE**